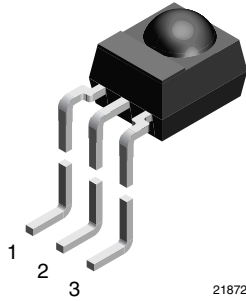
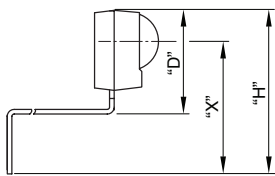


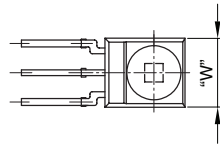
IR Receiver Modules for Remote Control Systems



21872



21871


FEATURES

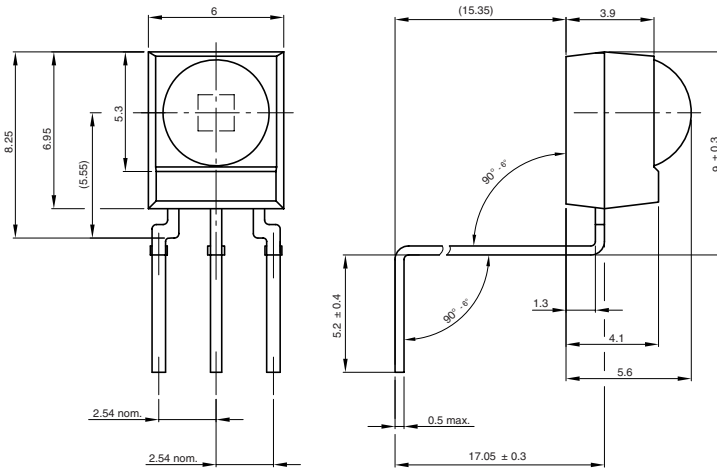
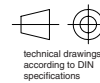
- Compliant to RoHS directive 2002/95/EC and in accordance to WEEE 2002/96/EC


AVAILABLE FOR:

- TSOP34...
- TSOP4....
- TSOP32...
- TSOP2....

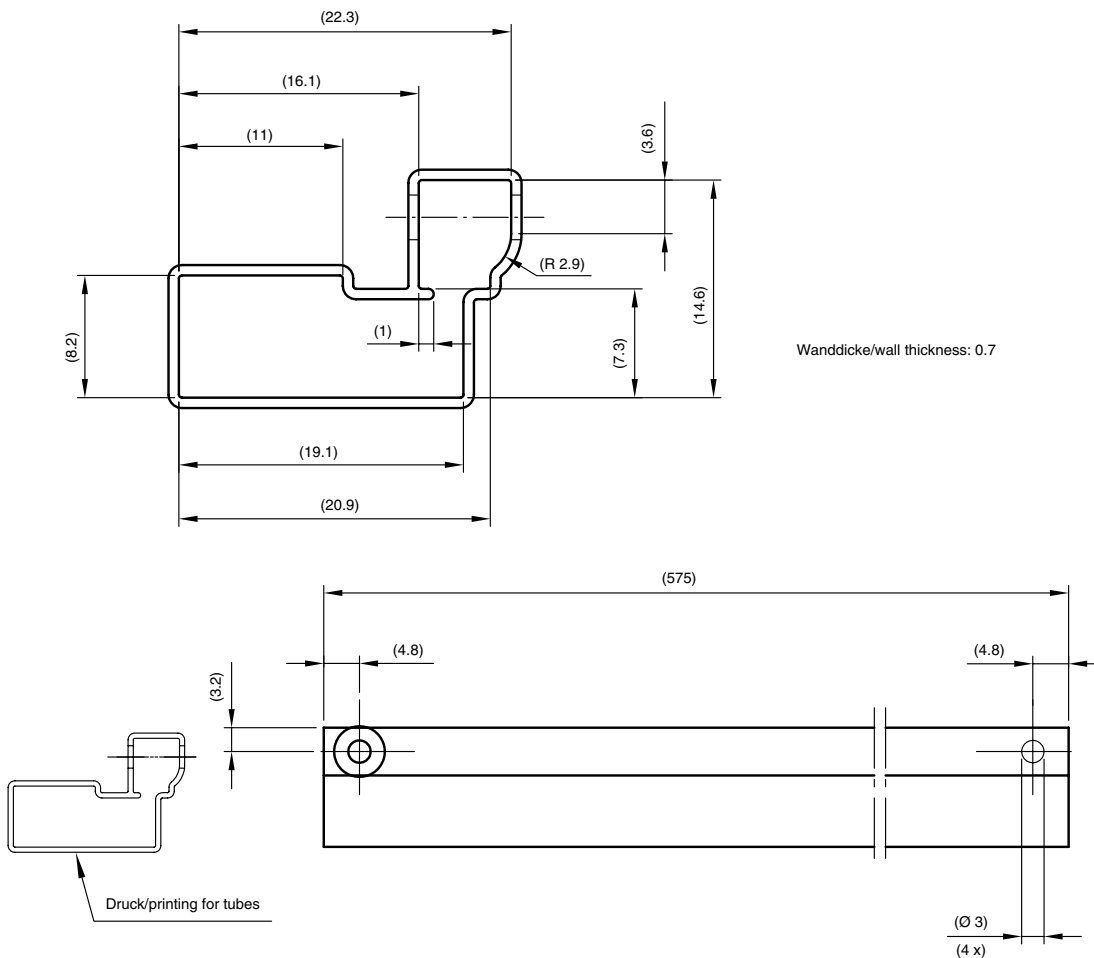

RoHS
COMPLIANT

NAME	LENS AXIS (X)	VIEW	TYPE	HEIGHT (H)	WIDTH (W)	DEPTH (D)
DE1	11.25	Side	Bent	14.2	6	9

MECHANICAL DIMENSIONS in millimeters

 Not indicated tolerances ± 0.2

 technical drawings
according to DIN
specifications

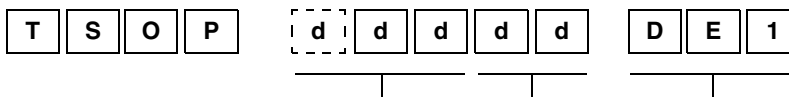
 Drawing-No.: 6.550-5304.01-4
Issue: 1; 24.08.09
21870

PACKAGING DIMENSIONS in millimeters



Drawing-no.: 9.700-5344.0-4
 Issue: 1; 14.09.09
 21869

ORDERING INFORMATION



2 or 3 digit product series 2 digit frequency Holder type

Note

d = "digit", please consult the list of available series on the previous page to create a valid part number.

Example: TSOP14838DE1

PACKING QUANTITY

- 90 pieces per tube
- 30 tubes per carton